



18G HDBase-T Transformer

JASN as a professional 18G HDBase-T Transformer, you can rest assured to buy HDBase-T Transformer from our factory and we will offer you the best after-sale service and timely delivery. T24C18S is designed for Audio-Video application. This part is comply with Valens chips.

Model:T24C18S

High quality 18G HDBase-T Transformer is offered by China manufacturer JASN. Buy 18G HDBase-T Transformer which is of high quality directly with low price.

Feature

Compliant with IEEE 802.3

Comply with RoHS requirements.

Designed to support applications up to 600mA Per centre tap

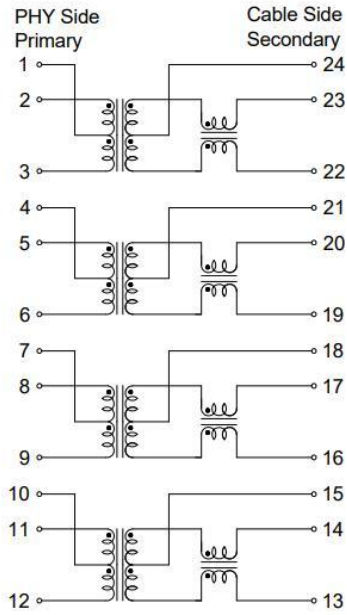
Operating temperature range: 0°C to +70°C.

Storage temperature range: -25°C to +105°C.

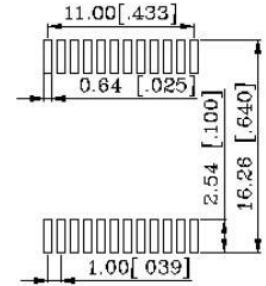
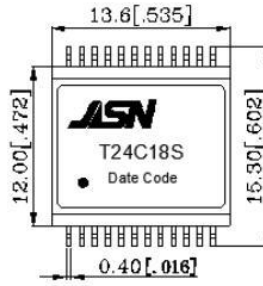
Electrical Specifications @ 25°C

OCL:	120uH Min. @100KHz/0.1V,
Hi-POT :	1500Vrms
Turn Ratio:	1CT:1CT±3%
Insertion Loss:	-2.0dB Max @1-600MHz
	-2.5dB Max @600-800MHz
Return Loss:	-20dB Min @1-40MHz
	-20+10log(f/40)dB Min @40-600MHz
	-9+20log(f/600)dB Min @600-800MHz
Cross Talk :	-40dB Min @1-100MHz
	-25dB Min @100-600MHz
	-18dB Min @600-800MHz
CMRR:	-30dB Min @1-100MHz
	-20dB Min @100-600MHz
	-15dB Min @600-800MHz

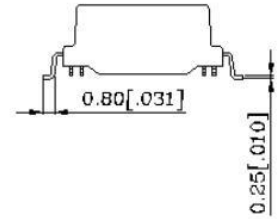
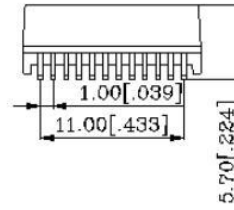
Schematic



Mechanical



SUGGESTED PAD LAYOUT



1. Unless otherwise specified, all tolerances are ±0.25[01]

2. Unit mm